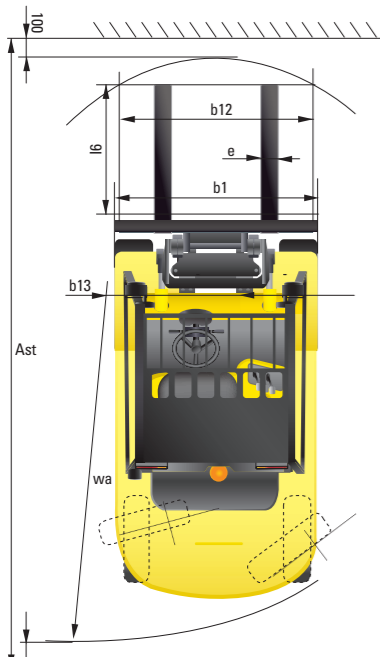
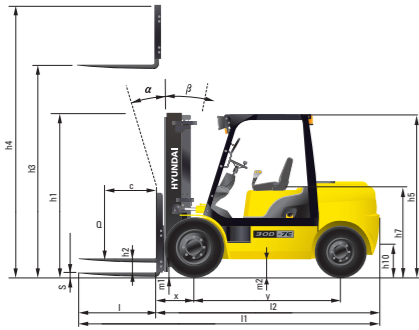


## Dimension



## Specification

Identification					
1.1	Manufacturer	Hyundai	Hyundai	Hyundai	Hyundai
1.2	Manufacturer's type designation	20D-7E	25D-7E	30D-7E	33D-7E
1.3	Drive: electric (battery or mains), diesel, petrol, fuel gas, manual	DIESEL	DIESEL	DIESEL	DIESEL
1.4	Type of operation: hand, pedestrian, standing, seated, order-picker	seated	seated	seated	seated
1.5	Load capacity / rated load	kg 2,000	2,500	3,000	3,300
1.6	Load center distance	c mm 500	500	500	500
1.8	Load distance, center of drive axle to fork	x mm 468	468	468	468
1.9	Wheelbase	y mm 1,650	1,650	1,700	1,700
Weights					
2.1	Service weight	kg 3,604	3,894	4,411	4,823
2.2	Axle loading, loaded front/rear	kg 4,847 / 757	5,579 / 815	6,450 / 961	6,885 / 1,238
2.3	Axle loading, unloaded front/rear	kg 1,683 / 1,921	1,623 / 2,271	1,748 / 2,663	1,713 / 3,110
Wheels, Chassis					
3.1	Tires: solid rubber, superelastic, pneumatic, polyurethane	pneumatic	pneumatic	pneumatic	pneumatic
3.2	Tires size, front	7.00-12-12PR	7.00-12-12PR	8.15-15-14PR	8.15-15-14PR
3.3	Tires size, rear	6.00-9-10PR	6.00-9-10PR	6.50-10-12PR	6.50-10-12PR
3.5	Wheels, number front x rear (x=driven wheels)	x2 / 2	x2 / 2	x2 / 2	x2 / 2
3.6	Track width, front	mm 965	965	1,005	1,005
3.7	Track width, rear	mm 980	980	980	980
Basic Dimensions					
4.1	Mast / fork carriage tilt forward / backward (α / β)	degrees 6 / 10	6 / 10	6 / 10	6 / 10
4.2	Lowered mast height	h1 (mm) 2,175	2,175	2,190	2,190
4.3	Free lift	h2 (mm) 155	155	155	155
4.4	Lift height	h3 (mm) 3,300	3,300	3,300	3,200
4.5	Extended mast height	h4 (mm) 4,485	4,485	4,485	4,385
4.7	Overhead guard (cab) height	h5 (mm) 2,160	2,160	2,180	2,180
4.8	Seat height / standing height	h7 (mm) 1,110	1,110	1,130	1,130
4.12	Coupling height	h10 (mm) 283	283	299	299
4.19	Overall length	l1 (mm) 3,597	3,657	3,742	3,782
4.20	Length to face of forks	l2 (mm) 2,547	2,607	2,682	2,732
4.21	Overall width	b1 (mm) 1,160	1,160	1,230	1,230
4.22	Fork dimensions (hook type)	l / e / s (mm) 1,050x100x45	1,050x100x45	1,050x122x45	1,050x122x45
4.23	Fork carriage ISO 2328, class / type A,B	2A	2A	3A	3A
4.24	Fork-carriage width	b12 (mm) 1,102	1,102	1,102	1,102
4.31	Ground clearance, loaded, under mast	m1 (mm) 130	130	145	145
4.32	Ground clearance, centre of wheelbase	m2 (mm) 171	171	189	189
4.33	Aisle width for pallets 1,000x1,200 crossways (LxW)	Ast (mm) 3,928	3,981	4,066	4,102
4.34	Aisle width for pallets 800x1,200 lengthways (WxL)	Ast (mm) 4,128	4,181	4,266	4,302
4.35	Turning radius	Wa (mm) 2,260	2,313	2,398	2,434
4.36	Smallest pivot point distance	b13 (mm) 714	714	731	731
Performance Data					
5.1	Travel speed, unloaded	km/h 18.8	18.8	19.7	19.7
5.2	Lift speed, loaded / unloaded	mm/s 560 / 590	540 / 590	480 / 500	470 / 500
5.3	Lowering speed, loaded / unloaded	mm/s 500 / 450	500 / 450	500 / 450	500 / 450
5.5	Drawbar pull, loaded	kg 2,580	2,564	2,475	2,488
5.7	Gradient performance, loaded / unloaded	% 44.4 / 24.9	38.4 / 22.2	30.7 / 21.0	28.4 / 19.6
5.9	Acceleration time, loaded / unloaded (10m)	sec NA	NA	NA	NA
5.10	Service brake	FOOT	FOOT	FOOT	FOOT
Engine					
6.1	Engine manufacturer / type	KUBOTA V3600	KUBOTA V3600	KUBOTA V3600	KUBOTA V3600
6.2	Engine power acc. to ISO 1585	kW 48	48	48	48
6.3	Rated speed	1/min 2,300	2,300	2,300	2,300
6.4	No. of cylinder / cubic capacity	anz/cm <sup>3</sup> 4 / 3,620	4 / 3,620	4 / 3,620	4 / 3,620
6.5	Fuel consumption acc. To VDI cycle	ℓ / h 2.1	2.2	2.5	2.8
Other Details					
8.1	Type of drive control	power shift	power shift	power shift	power shift
8.2	Operating pressure (system / attach)	bar 200 / 165	200 / 165	200 / 165	200 / 165
8.3	Oil volume	ℓ 30	30	30	30
8.4	Noise	db(A) 80	80	80	80



■ Some of the photos may include optional equipment.

HYUNDAI DIESEL FORKLIFT TRUCKS Environmentally - Friendly

# 20D/25D/30D/33D-7E

■ Contact your Hyundai dealer for more information. The machine shown may vary according to International standards.

**HYUNDAI | FORKLIFT**  
HEAVY INDUSTRIES CO.,LTD.

Head Office (Sales Office)  
14th FL., HYUNDAI BLDG. 140-2, KYE-DONG, JONGNO-GU, SEOUL, KOREA 110-793  
Tel (82) (2) 746-4609, 4638 Fax (82) (2) 746-7444-7445

Americas Operation : Hyundai Construction Equipment Americas, Inc.  
955 ESTES AVENUE, ELK GROVE VILLAGE IL, 60007 Tel (1) 847-437-3333 Fax (1) 847-437-3574

Europe Operation : Hyundai Heavy Industries Europe N.V.  
VOSSENDAAL 11, 2440 GEEL, BELGIUM Tel (32) 14-56-2200 Fax (32) 14-59-3405

PLEASE CONTACT

www.hyundai-ce.com

2011. 10 Rev.4

**HYUNDAI**  
HEAVY INDUSTRIES CO.,LTD.

We build a better future

20D/25D/30D/33D -7E

## New criterion of Forklift Trucks

Hyundai introduces a new line of 7E-series diesel forklift trucks.  
Excellent power and performance makes your business more profitable.



■ Some of the photos may include optional equipment.

# High Power & Performance

## Powerful Engine

### KUBOTA V3600 Engine

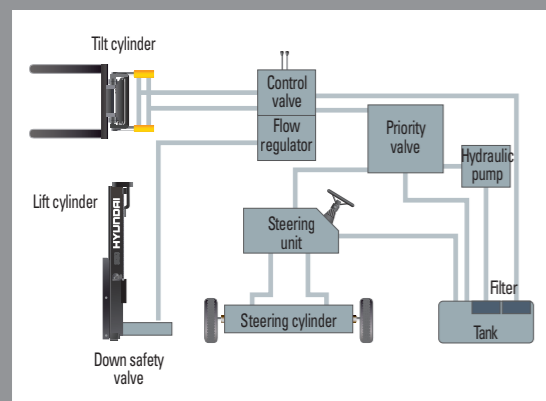
Market approved quality of Kubota V3600 engine ensures incomparable performance, durability and additional value to the machine. 48kW of the engine is more than enough to suit any work, not just with normal 48kW but with special attachments requiring high power as well.(EPA Int.Tier-4 / EU Stage III A Certified)

48kW/2,300rpm



## State-of-the-art hydraulic system

The latest large-capacity hydraulic system reacts quickly during operation, and a low-noise control valve increases both efficiency and durability.



■ Some of the photos may include optional equipment.

## The new master on the job-site!

Smooth running, efficient and ergonomically designed, 20/25/30/33D-7E series are made to meet your needs.



## Fast and stable performance

Being able to quickly raise and lower the mast, as well as tilt it forward and backward, provides the best operational conditions during unloading. When the truck is fully loaded, mast lowering speed is carefully controlled to ensure safety by the down control valve.

## Faster travel speed & gradeability

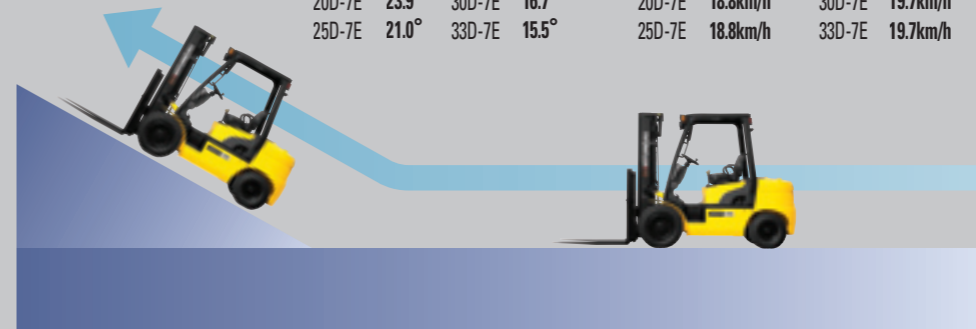
The powerful high-output engine provides greater acceleration, better gradeability and faster travel speed on any tough terrain or slope.

### Gradeability(Loaded)

20D-7E	23.9°	30D-7E	16.7°
25D-7E	21.0°	33D-7E	15.5°

### Travel speed(Unloaded)

20D-7E	18.8km/h	30D-7E	19.7km/h
25D-7E	18.8km/h	33D-7E	19.7km/h



## Increased mast tilting angle

The mast tilting angle of 8 degrees forward and 10 degrees backward, the operator can safely and rapidly perform loading and unloading jobs.



## Wet disc brake system

The wet disc brake system is virtually maintenance free and is enclosed to protect from dust and water.



## Fully hydrostatic power steering

A hydraulic steering system always guarantees smooth and flexible steering, preventing overrun and kick-back.



## OPSS (Operator Presence Sensing System)

Control of mast tilting, lifting and lowering is not possible through operation of the appropriate control when the operator is not in the normal position.(Option)

## Comfortable Operation



### Adjustable steering wheel

Steering wheel with horn button can be adjusted by a lever on the right-hand side for the most comfortable operator position.



### Easy and safe shift lever

A single lever on the left side of the steering column gives the operator fast, easy control of direction.



### Multi-function switch lever

Multi-functional switch lever gives easy access to lights and horn.



### Quick response of operating control levers

Only minimal operator's effort is required for precise, safe and productive control.



Some of the photos may include optional equipment.

## Ergonomically designed with the operator in mind!

A design based on human engineering relieves fatigue and increase operator's efficiency.



### Ergonomically positioned pedals

Based on human engineering, the accelerator, brake and inching pedals are optimally positioned for convenience while operating the equipment.



### Cup holder & console box

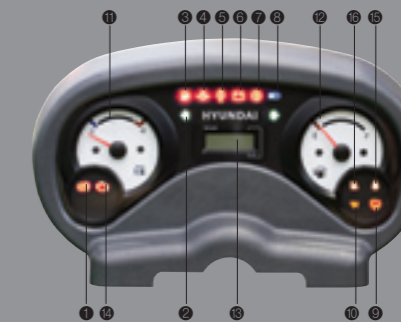
Additional storage spaces are located inside the operating space for operator's convenience.



### New high visibility for safe operation

The operator is able to work with increased safety and accuracy due to a wider view mast.

### Operator friendly gauges and water-resistant monitor panel



- ① Parking brake lamp
- ② Directional indicators
- ③ Fuel warning lamp
- ④ Engine oil warning lamp
- ⑤ Transmission oil temperature warning lamp
- ⑥ Battery charging warning lamp
- ⑦ Air cleaner filter warning light
- ⑧ Working light indicator
- ⑨ Water separator lamp
- ⑩ Pre-heater indicator
- ⑪ Water temperature gauge
- ⑫ Fuel gauge
- ⑬ Hour meter
- ⑭ Engine check lamp
- ⑮ Seat belt warning
- ⑯ OPS warning

### Easily adjustable suspension seat

An attractive and adjustable seat, based on a human engineering design, provides great comfort, safety and durability.



### Full floating overhead guard mount

The anti-vibration rubber is installed between the guard and truck frame to reduce the source of vibration and noise while driving. This not only reduces operator's fatigue but also increases safety.



## Endurance & Safety

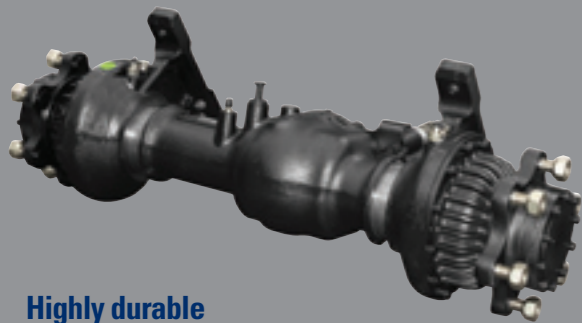
### Strong overhead guard

The safety overhead guard exceeds EEC and ANSI regulations and protects the operator during hazardous jobs.



### Parking brake

Ratchet type parking brake requires less efforts from the operator to set.



### Highly durable split type drive axle

The bevel gear set and hub reduction axle smoothly delivers desired torque to the drive wheels.

## Enhanced safety through high durability!

Safety and durability are priorities in the design of the equipment.

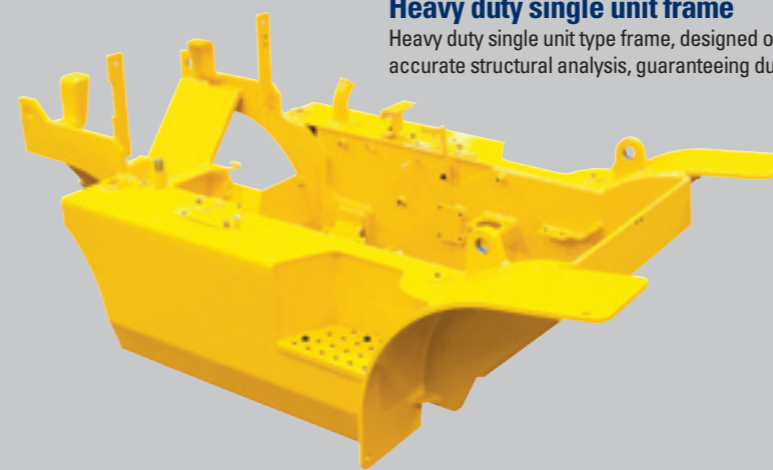


Some of the photos may include optional equipment.



### Large footboard & hand grip

Wide "open" step offers convenience and safety when entering and exiting truck.



### Heavy duty single unit frame

Heavy duty single unit type frame, designed on the basis of accurate structural analysis, guaranteeing durability and safety.



### Easy access of electrical Components

Various electric parts are centralized in dash board resulting in improvement in maintenance



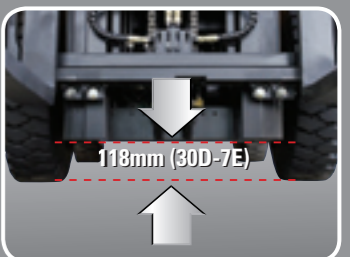
### Expansion bellows

The expansion bellows absorbs vibration and reduces noise generated from the exhaust gas system and also extends the life cycle of exhaust gas system.



### Bright, protected headlights

Bright, protected headlights is positioned for exceptional visibility.



### Ground clearance

The engine and transmission are assembled horizontally and positioned high in the frame to protect expansive components during operation on rugged surface.

Durability **Easy Maintenance**

**Centralized design for easy service!**

An ideal arrangement of component parts ensures easy access and convenience for maintenance.



**Electrically monitored air filter**

Air cleaner sensor alerts the operator of a restricted air filter and allows replacement before damage.



**Battery master switch**



**Hydraulic oil check**



**Automatic self locking gas spring**

Engine compartment hood is held safely open by a self locking gas spring.



**Brake fluid reservoir**

Highly visible, easily accessible reservoir makes for quicker daily inspections.



**An accessible, compact fuse box for easy inspection**



**Easy change air cleaner**

The air filter is readily accessible for cleaning or replacement. (7inch Cyclone Type)

■ Some of the photos may include optional equipment.



**Large open engine hood**

Highly accessible engine compartment assures fast and efficient maintenance.



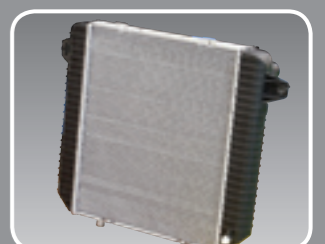
**Easy Maintenance oil check**



**Portable side cover**



**Double battery installation**



**Aluminum radiator with superb protection against heat**



**Engine oil condition check**

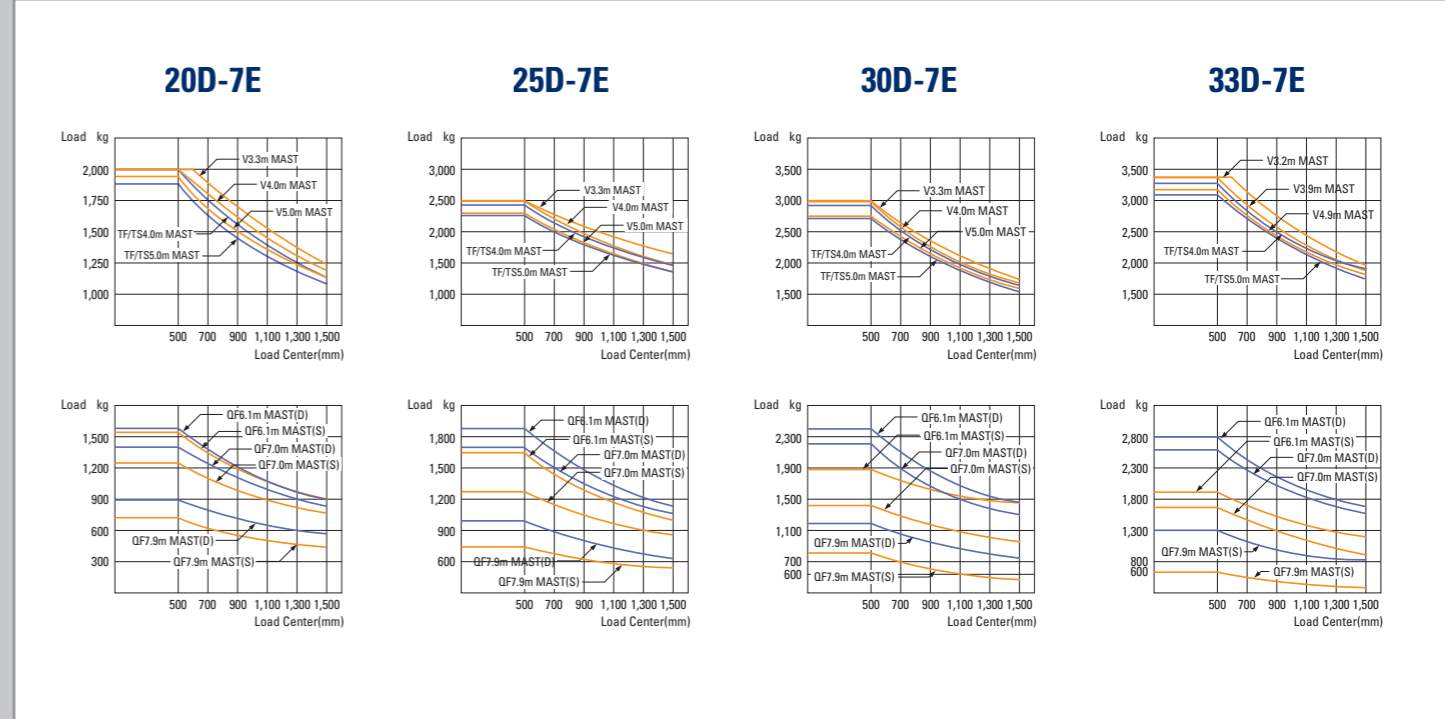
Durability Easy Maintenance

Mast Specification (20D/25D/30D-7E)

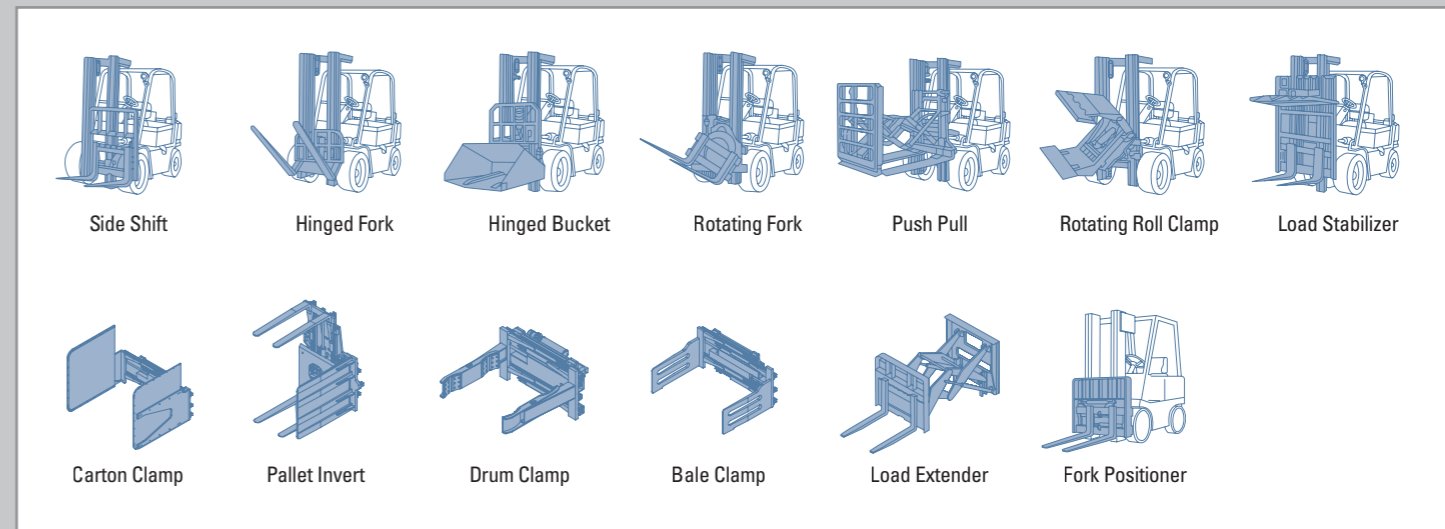
Mast Type	Maximum Fork Height (mm)	Overall Height Lowered (mm)	Free Lift Height				Tilt Angle		Load capacity w / o integral side shift at 500 mm LC				Load capacity w / integral side shift at 500 mm LC				Truck Weight Unload											
			With bkr(mm)		With / o bkr(mm)		Fwd	Bwd	Single Tire (kg)		Double Tire (kg)		Single Tire (kg)		Double Tire (kg)		Single Tire (kg)		Double Tire (kg)									
			20/25D-7E	20/25D-7E	30D-7E	30D-7E			200-7E	25D-7E	30D-7E	200-7E	25D-7E	30D-7E	200-7E	25D-7E	30D-7E	200-7E	25D-7E	30D-7E								
2-Stage limited free lift	V300	3,000	2,025	2,040	155	155	155	155	6	10	2,000	2,500	3,000	2,000	2,500	3,000	2,000	2,500	3,000	3,552	3,842	4,259	3,689	3,979	4,446			
	*V330	3,300	2,175	2,190	155	155	155	155	6	10	2,000	2,500	3,000	2,000	2,500	3,000	2,000	2,500	3,000	3,572	3,862	4,279	3,708	3,998	4,466			
	V350	3,500	2,275	2,290	155	155	155	155	6	10	2,000	2,500	3,000	2,000	2,500	3,000	2,000	2,500	3,000	3,589	3,879	4,297	3,725	4,015	4,484			
	V370	3,700	2,425	2,440	155	155	155	155	6	10	2,000	2,500	3,000	2,000	2,500	3,000	2,000	2,500	3,000	3,611	3,901	4,319	3,747	4,037	4,507			
	V400	4,000	2,575	2,590	155	155	155	155	6	10	2,000	2,500	3,000	2,000	2,500	3,000	2,000	2,500	2,975	3,641	3,931	4,451	3,777	4,067	4,538			
	V430	4,300	2,725	2,740	155	155	155	155	6	6	2,000	2,450	2,925	2,000	2,500	3,000	1,950	2,400	2,875	2,000	2,450	2,925	3,683	3,983	4,504	3,829	4,119	4,590
	V450	4,500	2,875	2,890	155	155	155	155	6	6	2,000	2,400	2,875	2,000	2,475	2,950	1,930	2,350	2,825	2,000	2,400	2,875	3,715	4,005	4,526	3,851	4,141	4,613
V470	4,700	2,975	2,990	155	155	155	155	6	6	2,000	2,350	2,825	2,000	2,450	2,900	1,900	2,325	2,750	2,000	2,375	2,825	3,729	4,019	4,541	3,865	4,155	4,628	
V500	5,000	3,125	3,140	155	155	155	155	6	6	1,970	2,300	2,775	2,000	2,400	2,850	1,850	2,275	2,700	1,950	2,350	2,775	3,751	4,041	4,564	3,887	4,177	4,651	
2-Stage full free lift	VF290	2,900	2,025	2,040	845	860	1,377	1,314	6	6	2,000	2,500	3,000	2,000	2,500	3,000	2,000	2,500	3,000	3,598	3,888	4,299	3,735	4,025	4,486			
	VF320	3,200	2,175	2,190	955	1,010	1,527	1,464	6	6	2,000	2,500	3,000	2,000	2,500	3,000	2,000	2,500	3,000	3,632	3,922	4,435	3,769	4,059	4,521			
3-Stage full free lift	TF370/TS370	3,700	1,825	1,840	645	660	1,177	1,114	6	6	2,000	2,500	3,000	2,000	2,500	3,000	2,000	2,450	2,900	2,500	2,950	3,689	3,979	4,509	3,826	4,116	4,595	
	TF400/TS400	4,000	1,925	1,940	745	760	1,277	1,214	6	6	2,000	2,450	2,900	2,000	2,500	2,975	1,950	2,400	2,850	2,000	2,450	2,900	3,713	4,003	4,533	3,850	4,140	4,619
	TF430/TS430	4,300	2,025	2,040	845	860	1,377	1,314	6	6	2,000	2,375	2,850	2,000	2,450	2,900	1,900	2,350	2,775	2,000	2,400	2,825	3,731	4,021	4,555	3,868	4,158	4,641
	TF450/TS450	4,500	2,125	2,140	945	960	1,477	1,414	6	6	2,000	2,350	2,800	2,000	2,425	2,850	1,875	2,325	2,725	1,950	2,350	2,775	3,753	4,043	4,581	3,890	4,180	4,667
	TF470/TS470	4,700	2,175	2,190	955	1,010	1,527	1,464	6	6	1,950	2,300	2,775	2,000	2,375	2,825	1,850	2,275	2,675	1,925	2,300	2,725	3,766	4,056	4,595	3,903	4,193	4,681
	TF500/TS500	5,000	2,275	2,290	1,095	1,110	1,627	1,564	6	6	1,900	2,250	2,700	1,950	2,325	2,750	1,800	2,200	2,600	1,900	2,275	2,675	3,788	4,078	4,617	3,925	4,215	4,703
	TF550/TS550	5,500	2,475	2,490	1,295	1,310	1,827	1,764	6	6	1,825	1,800	2,600	1,875	2,250	2,650	1,725	1,700	2,525	1,825	2,200	2,575	3,828	4,118	4,662	3,965	4,255	4,748
TF600/TS600	6,000	2,675	2,690	1,495	1,510	2,027	1,964	6	6	1,500	1,250	1,900	1,825	2,150	2,550	1,400	1,150	1,750	1,775	2,100	2,475	3,892	4,182	4,731	4,029	4,319	4,817	
4-Stage full free lift	QF610	6,115	2,177	2,175	997	955	1,512	1,449	3	3	1,550	1,650	1,870	1,580	1,910	2,400	1,485	1,585	1,770	1,515	1,845	2,300	4,134	4,424	4,911	4,272	4,562	4,987
	QF660	6,615	2,377	2,375	1,197	1,195	1,712	1,649	3	3	1,450	1,550	1,750	1,490	1,820	2,280	1,385	1,685	1,650	1,425	1,750	2,180	4,194	4,484	4,971	4,332	4,622	5,047
	QF700	7,015	2,477	2,475	1,297	1,295	1,812	1,749	3	3	1,240	1,300	1,450	1,400	1,720	2,170	1,175	1,110	1,350	1,270	2,070	4,224	4,515	5,001	4,363	4,653	5,078	
	QF745	7,465	2,627	2,625	1,447	1,445	1,962	1,899	3	3	1,150	1,200	1,300	1,300	1,610	2,040	1,085	1,020	1,200	1,225	1,175	1,940	4,270	4,560	5,047	4,469	4,899	5,123
QF790	7,915	2,777	2,775	1,597	1,595	2,112	2,049	3	3	700	750	800	900	1,000	1,200	635	570	700	835	770	1,100	4,370	4,661	5,147	4,509	4,799	5,224	

※ TS-Mast : Wide Visible 3-Stage Full Free Lift Mast with 2 Free Lift Cylinders.

Load Capacity



Various Attachments



Optional Items

- Fork (LxWxT)(mm)
  - 20D / 25D-7E
    - 900 X 100 X 45
    - 1,000 X 100 X 45
    - 1,050 X 100 X 45
    - 1,200 X 100 X 45
    - 1,350 X 100 X 45
    - 1,500 X 100 X 45
  - 30D / 33D-7E
    - 900 X 122 X 45
    - 1,150 X 122 X 45
    - 1,050 X 122 X 45
    - 1,200 X 122 X 45
    - 1,350 X 122 X 45
    - 1,500 X 122 X 45
    - 1,650 X 122 X 45
    - 1,800 X 122 X 45
    - 2,400 X 122 X 45
    - 2,120 X 122 X 45
    - 1,970 X 122 X 45
    - 2,300 X 122 X 45
- Overshoe(mm)
  - 1,300 / 1,500 / 1,700 / 1,800
- Tilting (6°/10°, 6°/6°, 3°/3°)
- Sideshift
- Integral Sideshift
- Attach Piping (3-Spool piping / 4-Spool piping)
- Hose - Reel (VF)
- Fuel Cap (Without key / With key)
- Brake Pedal (Hydraulic Booster)
- Exhaust (Horizontal / Vertical)
- Muffler (Spark Arrester)
- Seat (Seat Belt, Arm rest, Hip rest)
- Tire (Cushion, No-Marking, Double)
- Opss (Travel / Travel + Mast)
- MCV (3-Spool / 4-Spool)
- Master S/W
- Beacon Lamp
- Hazard S/W
- Work Lamp
- Cabin & Heater

Mast Specification (33D-7E)

Mast Type	Maximum Fork Height (mm)	Overall Height Lowered (mm)	Free Lift Height				Tilt Angle		Load capacity w / o integral side shift at 500 mm LC		Load capacity w / integral side shift at 500 mm LC		Truck Weight Unload			
			With bkr(mm)		With / o bkr(mm)		Fwd	Bwd	Single Tire (kg)		Double Tire (kg)		Single Tire (kg)		Double Tire (kg)	
			33D-7E	33D-7E	33D-7E	33D-7E			33D-7E	33D-7E	33D-7E	33D-7E	33D-7E	33D-7E		
2-Stage limited free lift	V290	2,900	2,040	155	155	6	10	3,300	3,300	3,300	3,300	4,767	4,858			
	*V320	3,200	2,190	155	155	6	10	3,300	3,300	3,300	3,300	4,791	4,882			
	V340	3,400	2,290	155	155	6	10	3,300	3,300	3,300	3,300	4,807	4,898			
	V360	3,600	2,440	155	155	6	10	3,300	3,300	3,300	3,300	4,830	4,921			
	V380	3,800	2,590	155	155	6	10	3,300	3,300	3,300	3,300	4,862	4,953			
	V420	4,200	2,740	155	155	6	6	3,300	3,300	3,275	3,300	4,916	5,007			
	V440	4,400	2,890	155	155	6	6	3,275	3,300	3,200	3,300	4,940	5,031			
V460	4,600	2,990	155	155	6	6	3,225	3,300	3,150	3,250	4,955	5,046				
V490	4,900	3,140	155	155	6	6	3,175	3,250	3,100	3,150	4,979	5,070				
2-Stage full free lift	VF290	2,900	2,090	910	1,269	6	6	3,300	3,300	3,300	3,300	4,805	4,896			
	VF320	3,200	2,240	1,060	1,419	6	6	3,300	3,300	3,300	3,300	4,841	4,932			
3-Stage full free lift	TF370/TS370	3,700	1,890	710	1,069	6	6	3,300	3,300	3,300	3,300	4,948	5,039			
	TF400/TS400	4,000	1,990	810	1,169	6	6	3,275	3,300	3,200	3,300	4,970	5,061			
	TF430/TS430	4,300	2,090	910	1,269	6	6	3,200	3,300	3,150	3,225	4,991	5,082			
	TF450/TS450	4,500	2,190	1,010	1,369	6	6	3,150	3,250	3,075	3,175	5,013	5,104			
	TF470/TS470	4,700	2,240	1,060	1,419	6	6	3,100	3,200	3,025	3,125	5,026	5,117			
	TF500/TS500	5,000	2,340	1,160	1,519	6	6	3,050	3,125	2,950	3,050	5,049	5,140			
	TF550/TS550	5,500	2,540	1,360	1,719	6	6	2,700	3,000	2,450	2,925	5,092	5,183			
TF600/TS600	6,000	2,740	1,560	1,919	6	6	1,750	2,900	1,450	2,825	5,165	5,256				
4-Stage full free lift	QF610	6,115	2,225	1,045	1,449	3	3	1,950	2,830	1,650	2,730	5,296	5,372			
	QF660	6,615	2,425	1,245	1,649	3	3	1,850	2,700	1,750	2,6					