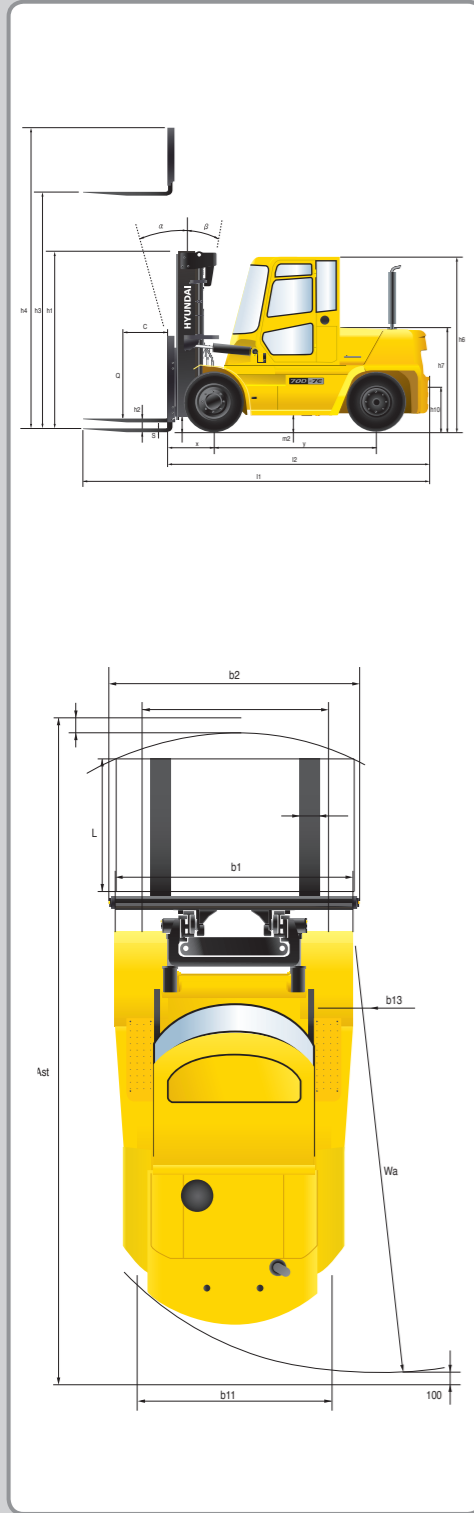


Dimension



Specification

Identification					
1.1	Manufacturer	Hyundai	Hyundai	Hyundai	Hyundai
1.2	Manufacturer's type designation	50D-7E	60D-7E	70D-7E	80D-7E
1.3	Drive: electric (battery or mains), diesel, petrol, fuel gas, manual	DIESEL	DIESEL	DIESEL	DIESEL
1.4	Type of operation: hand, pedestrian, standing, seated, order-picker	seated	seated	seated	seated
1.5	Load capacity / rated load	kg 5,000	6,000	7,000	8,000
1.6	Load center distance	c(mm) 600	600	600	600
1.8	Load distance, center of drive axle to fork	x(mm) 605	615	615	690
1.9	Wheelbase	y(mm) 2,300	2,300	2,300	2,500
Weights					
2.1	Service weight	kg 8,440	9,245	9,886	11,006
2.2	Axle loading, loaded front/rear	kg 12,046 / 1,556	13,573 / 1,673	14,867 / 2,019	16,928 / 2,078
2.3	Axle loading, unloaded front/rear	kg 4,404 / 4,198	4,403 / 4,842	4,169 / 5,717	4,800 / 6,206
Wheels, Chassis					
3.1	Tires: solid rubber, superelastic, pneumatic, polyurethane	pneumatic	pneumatic	pneumatic	pneumatic
3.2	Tires size, front (Ø x width)	8.25-15-14	8.25-15-14	8.25-15-14	9.00-20-14
3.3	Tires size, rear (Ø x width)	8.25-15-14	8.25-15-14	8.25-15-14	9.00-20-14
3.5	Wheels, number front x rear (x=driven wheels)	4 x / 2	4 x / 2	4 x / 2	4 x / 2
3.6	Track width, front	b10 mm 1,580	1,580	1,580	1,632
3.7	Track width, rear	b11 mm 1,604	1,604	1,604	1,700
Basic Dimensions					
4.1	Mast / fork carriage tilt forward / backward (α/β)	degrees 15 / 10	15 / 10	15 / 10	15 / 10
4.2	Lowered mast height	h1 (mm) 2,515	2,515	2,515	2,675
4.3	Free lift	h2 (mm) 140	140	140	145
4.4	Lift height	h3 (mm) 3,030	3,030	3,030	3,040
4.5	Extended mast height	h4 (mm) 4,275	4,275	4,275	4,375
4.7	Overhead guard height	h6 (mm) 2,500	2,500	2,500	2,603
4.8	Seat height / standing height	h7 (mm) 1,395	1,395	1,395	1,464
4.12	Coupling height	h10 (mm) 425	425	425	493
4.19	Overall length	l1 (mm) 4,700	4,765	4,820	5,000
4.20	Length to face of forks	l2 (mm) 3,500	3,570	3,620	3,960
4.21	Overall width (Frame)	b1 (mm) 2,087	2,087	2,087	2,190
4.22	Fork dimensions (hook type)	s / e / l1 (mm) 60 x 150 x 1,200	60 x 180 x 1,200	60 x 180 x 1,200	70 x 180 x 1,200
4.23	Fork carriage ISO 2328, class / type A,B	Class IV	Class IV	Class IV	Class IV
4.24	Fork-carriage width	b2 (mm) 2,068 / 2,268	2,068 / 2,268	2,068 / 2,268	2,068 / 2,268
4.31	Ground clearance, loaded, under mast	m1 (mm) 195	195	195	250
4.32	Ground clearance, centre of wheelbase	m2 (mm) 220	220	220	287
4.33	Aisle width for pallets 1,000 x 1,200 crossways (L x W)	Ast (mm) 5,085	5,130	5,175	5,580
4.34	Aisle width for pallets 800 x 1,200 lengthways (W x L)	Ast (mm) 5,285	5,330	5,375	5,780
4.35	Turning radius	Va (mm) 3,270	3,315	3,360	3,690
4.36	Smallest pivot point distance	b13 mm 1,190	1,190	1,190	1,354
Performance Data					
5.1	Travel speed, unloaded	km/h 35.1	34.9	34.8	35.2
5.2	Lift speed, loaded / unloaded	mm/s 440 / 460	430 / 460	420 / 460	410 / 480
5.3	Lowering speed, loaded / unloaded	mm/s 500 / 450	500 / 450	500 / 450	500 / 450
5.5	Drawbar pull, loaded	kg 6,876	6,912	6,940	6,659
5.7	Gradient performance, loaded / unloaded	% 52.2	44.9	39.9	34.0
5.9	Acceleration time, loaded / unloaded (10m)	-	-	-	-
5.10	Service brake	FOOT (Hydraulic)	FOOT (Hydraulic)	FOOT (Hydraulic)	FOOT (Hydraulic)
Engine					
6.1	Engine manufacturer / type	HMC D4DD	HMC D4DD	HMC D4DD	HMC D4DD
6.2	Engine power acc. to ISO 1585	kW 73.5	73.5	73.5	73.5
6.3	Rated speed	1/min 2,300	2,300	2,300	2,300
6.4	No. of cylinder / cubic capacity	cm ³ 3,907	3,907	3,907	3,907
6.5	Fuel consumption acc. to VDI cycle	ℓ/h 4.0	4.2	4.5	5.2
Other Details					
8.1	Type of drive control	Full Auto	Full Auto	Full Auto	Power Shaft
8.2	Operating pressure (system / attach)	bar 185	185	185	210
8.3	Oil volume (hydraulic)	ℓ 105	105	105	100
8.4	Noise (at driver's ear according to DIN 12 053)	db(A) 82	82	82	85



■ Some of the photos may include optional equipment.

HYUNDAI DIESEL FORKLIFT TRUCKS Applied Tier 3 Engine

50/60/70/80D-7E

HYUNDAI FORKLIFT
HEAVY INDUSTRIES CO.,LTD.

Head Office (Sales Office)
14TH FL., HYUNDAI BLDG. 140-2, KYE-DONG, JONGNO-GU, SEOUL, KOREA 110-793
TEL (82) (2) 746-4526, 4529 FAX (82) (2) 746-7444-7445

Americas Operation : Hyundai Construction Equipment Americas, Inc.
955 ESTES AVENUE, ELK GROVE VILLAGE, IL. 60007, U.S.A. TEL (1) 847-437-3333 FAX (1) 847-437-3574

Europe Operation : Hyundai Heavy Industries Europe N.V.
VOSSENDAAL 11, 2440 GEEL, BELGIUM TEL (32) 14-56-2200 FAX (32) 14-59-3405

PLEASE CONTACT

www.hyundai-ce.com

2011. 10. Rev. 3

HYUNDAI
HEAVY INDUSTRIES CO.,LTD.

We build a better future

50/60/70/80D-7E

New criteria of forklift trucks

Hyundai introduces a new line of 7E series diesel forklift trucks. Excellent power and performance make your business more profitable.



Excellent



HMC D4DD engine



Up-to-date cooling system

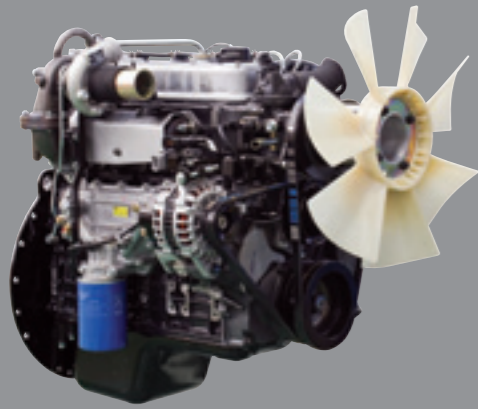


High-output air conditioner

■ Some of the photos may include optional equipment.

The new master on the job-site!

Smooth running, efficient and ergonomically designed, 50/60/70/80D-7E series are made to meet your needs.

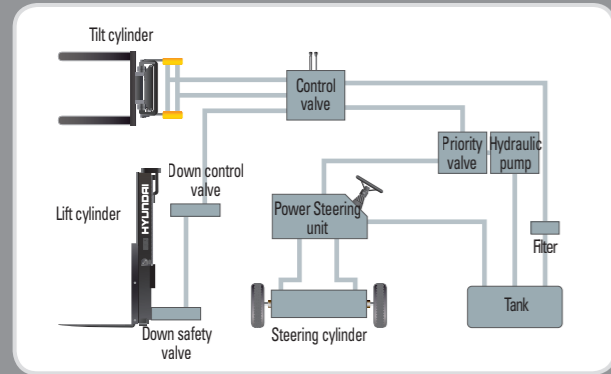


Powerful engine HMC D4DD Engine

Market approved quality of HMC D4DD engine ensures incomparable performance, durability and excellent fuel efficiency. This engine meets EPA Tier-III and EU stage IIIA emission regulations.

73.5kW/2,300rpm

38kgf-m/1,600rpm



State-of-the-art hydraulic system

The latest large-capacity hydraulic system reacts quickly during operation, and a low-noise control valve increases both efficiency and durability.



■ Some of the photos may include optional equipment.



Key-locking fuel filler

Increased security on job sites with locking fuel cap, plus an increased capacity fuel tank for less down time.



Wet disc brake system

The wet disc brake system is virtually maintenance free and is enclosed to protect from dust and water.



Fully hydrostatic power steering

A hydraulic steering always guarantees smooth and flexible steering, preventing overrun and kick-back.



Increased mast tilting angle

The mast tilting angle of 15 degrees forward and 10 degrees backward, the operator can safely and rapidly perform loading and unloading jobs.

Faster travel speed & gradeability

The powerful high-output engine provides greater acceleration, better gradeability and faster travel speed on any tough terrain or slope.



Gradeability(Loaded)

50D-7E	52.2%
60D-7E	44.9%
70D-7E	39.9%
80D-7E	34.0%

Travel speed(Unloaded)

50D-7E	35.1km/h
60D-7E	34.9km/h
70D-7E	34.8km/h
80D-7E	35.2km/h

Ergonomic operator friendly compartment design!

A design based on human engineering relieves fatigue and increases operator's efficiency.

Operator friendly gauges and water-resistant monitor panel USB MP3 player



High-output air conditioner & heater
An air conditioner with high-output and heater always provide you comfortable environment when you work.



■ Some of the photos may include optional equipment.



Rear View Camera
The rear view camera makes the operation more easy and convenient. And it supports 4 camera channels. (Option)

Load Indicator
A load can be placed on the fork and can be accurately weighed by measuring the hydraulic pressure. (Option)

Centralized instrument switch panel
Right side switch panel improves operator's convenience.

Adjustable steering wheel
Steering wheel with horn button can be adjusted by a lever on the right-hand side for the most comfortable operator position.

Quick response of operating control levers
Only minimal operator's effort is required for precise, safe and productive control.

Easy and safe shift lever
A single lever on the left side of the steering column gives the operator fast, easy control of direction. The lever must be in the neutral position before the engine can be started.

Multi-function switch lever
Multi-functional switch lever gives easy access to lights and horn.

Ergonomically positioned pedals
Based on human engineering, the accelerator, brake and inching pedals are optimally positioned for convenience while operating the equipment.

Enhanced safety through high durability!

Safety and durability are priorities in the design of the equipment.



Up-to-date cooling system

The minimum fuel consumption and low noise are available by applying hydraulic cooling fan sensing intake air temperature, transmission oil temperature, coolant temperature and hydraulic temperature.



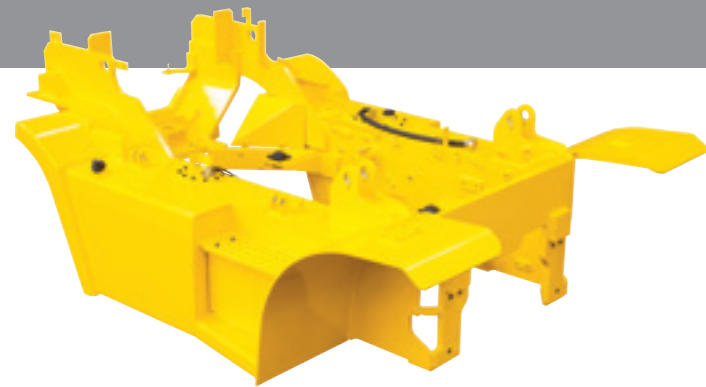
Full-automatic transmission

Full-automatic transmission gives easy, convenient handling and soft, smooth shifting. The operator can select two kinds of automatic mode.



Highly durable split type drive axle

The durable drive axle provides fast travel speed and quiet travel under any heavy load condition, and boosts work efficiency.



Heavy duty single unit frame

Heavy duty single unit type frame, designed on the basis of accurate structural analysis, guarantees durability and safety.



Large footboard & hand grip

Wide "open" step offers convenience and safety when entering and exiting truck.



Bright, protected headlights

Bright, protected headlights are positioned for exceptional visibility.



Expansion bellows

The expansion bellows absorbs vibration and reduces noise generated from the exhaust gas system and also extends the life cycle of exhaust gas system.



Fitted protector for hub bolts

Durability has improved by applying protector for preventing bolts breakage. (Easy parts supply due to the wheel in common with front wheel)



OPSS (Operator Presence Sensing System)

Control of mast tilting, lifting and lowering is not possible through operation of the appropriate control when the operator is not in the seated position. (Option)



Grease fittings

Grease fittings are installed for fast access to steering axle center pin when doing your service checks.



■ Some of the photos may include optional equipment.

Centralized design for easy service!

An ideal arrangement of component parts ensures easy accesses and conveniences for the maintenance.



Large engine hood
Highly accessible engine compartment assures fast and efficient maintenance.



Easy change air cleaner
The air filter is readily accessible for cleaning or replacement.



Cabin air fresh filter
The internal pressure is maintained to be slightly higher than that of outside to exclude dust and to reduce noise levels.



■ Some of the photos may include optional equipment.



Cabin tilting automatic system
Cabin tilting automatic system makes servicing of all power train components quick and easy. An electrically assisted hydraulic actuated cylinder tilts operator cabin to left side about 54 degrees for easy access to inside of truck components.



Mechanic friendly fuel filter replacement
Highly accessible engine compartment allows for quick replacement of filters.



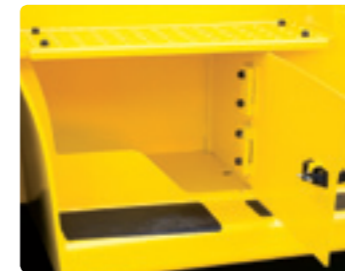
Electrically monitored air filter
Air cleaner sensor alerts the operator of a clogged air filter and allows replacement before damage.



Compact fuse box for easy inspection



Maintenance free battery



Large tool box
Additional tool box located in machine side for operator's convenience.



Easy-to-access reservoir tank



Wing cover locking system

